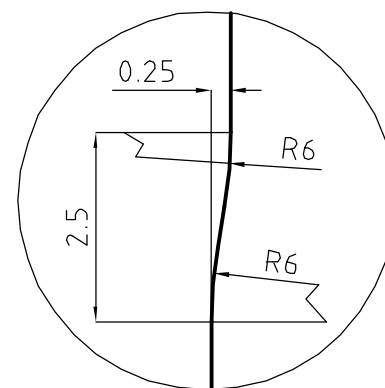
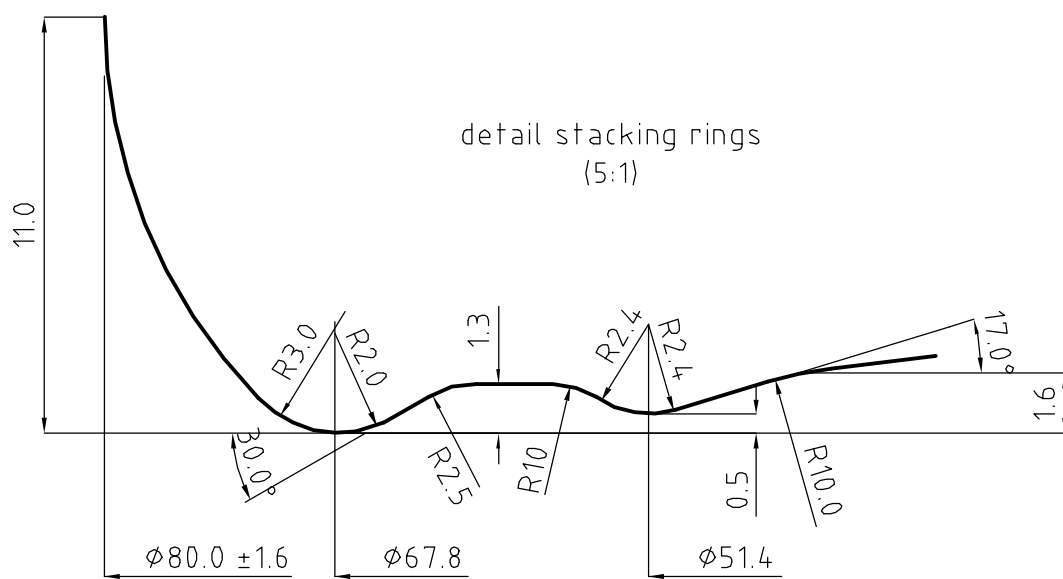


detail A
(10:1)



detail B
(10:1)



detail stacking rings
(5:1)

G	01-03-'05	Engraving bottom OM6B → RX1B
F	06-10-'04	MNR & heelengraving altered
E	25-09-'96	Engrav. heel & bottom altered
D	07-11-'94	Average capacity added
C	22-02-'93	Heelengraving altered: OM6M
B	09-01-'91	Engraving in heel
A	04-07-'90	Weight & height altered

Brimfull cap. average : 370 ±3.5 ml.	Gravitycentre (empty): 43.3 mm.	Colour : Flint
Brimfull cap. individual : 370 ±10 ml.	Critical speed (empty) : 0.48 m/s	Project : -
Design glass weight : ca. 170 gr.	Theor. tip angle : 40.1°	Designer: PvT
Finish: 66 mm. twist-off (GME 20.06)	Theor. wall thickness : 2.2 mm. (f15)	Date : 22-05-'90
<input checked="" type="checkbox"/> Non-refillable	<input type="checkbox"/> Refillable	Scale : 1:1 (on A3)

37-0391 G

Drawing number